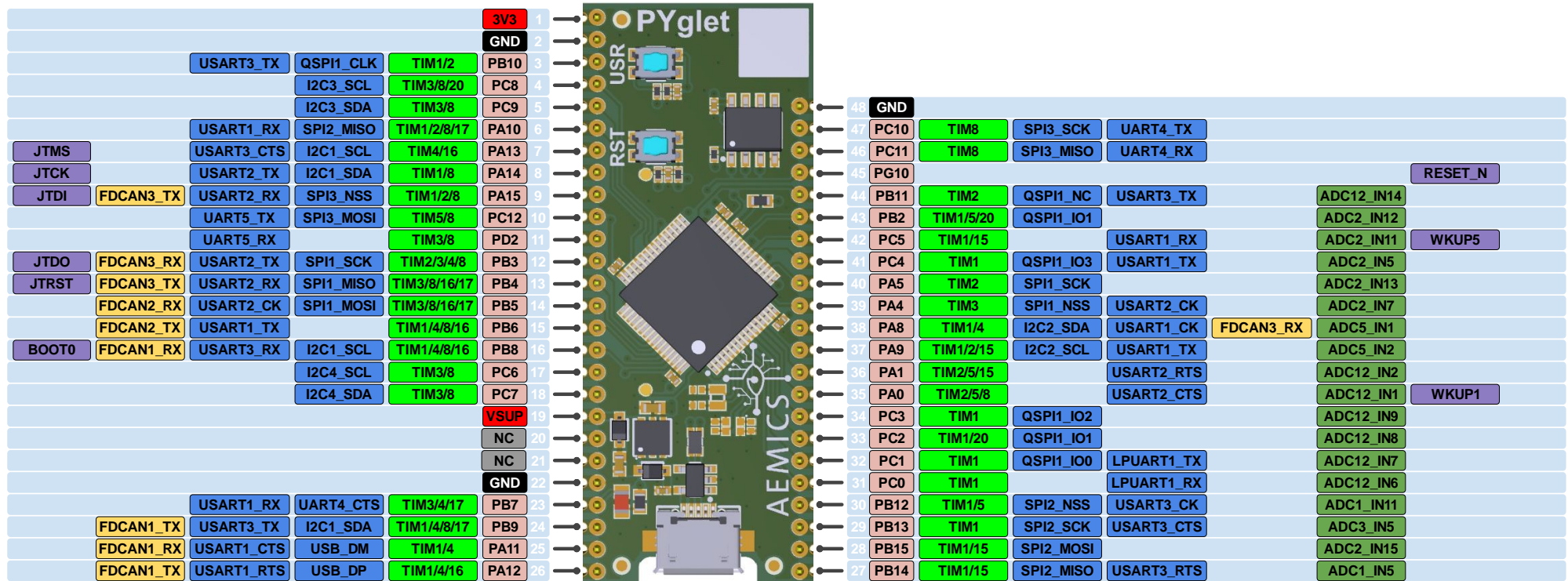


# Pinout Diagram AEMICS PYglet Board



### PIN Types

- Power Pin
- GND Pin
- Not Connected Pin
- STM32G473RBT Pin Name
- Analog Capable Pin
- Serial Capable Pin
- System Function
- Timer / PWM Capable Pin
- FDCAN Capable Pin (Optional)

### On-Board (Fixed) Features

- PB7 TIM3/4/17 RED LED - Cathode
- PA2 QSPI1\_NC QuadSPI interface to on-board Flash
- PA3 QSPI1\_CLK
- PA6 QSPI1\_IO3
- PA7 QSPI1\_IO2
- PB0 QSPI1\_IO1
- PB1 QSPI1\_IO0

### Power Supply & Battery

- 3V3 On-Board 3V3 / 500mA Supply, **OUTPUT ONLY!**
- VEXT External Supply Input, 5V (4.2V - 10V)

Note:

- Board can also be supplied with power through the USB interface (5V)
- All GPIO pins are 5V tolerant

### Low Level Bootloader (DFU)

GND + PC13 Device Firmware Upgrade

### User button

■ U (hold) + ■ R (press)

LED flashes:

- 1x ■ Boot normally
- 2x ■ Safe boot (don't run boot.py and main.py)
- 3x ■ Reset filesystem

